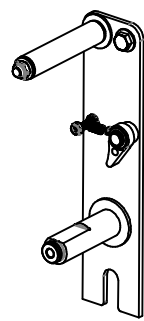


# EXP-77

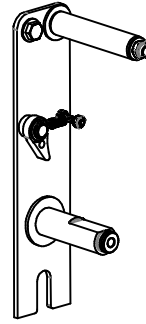
REVISION: -  
ECO NO.: -  
BY: G. REEDER  
DATE: 1/05/06

# COXREELS

## SERIES S 13

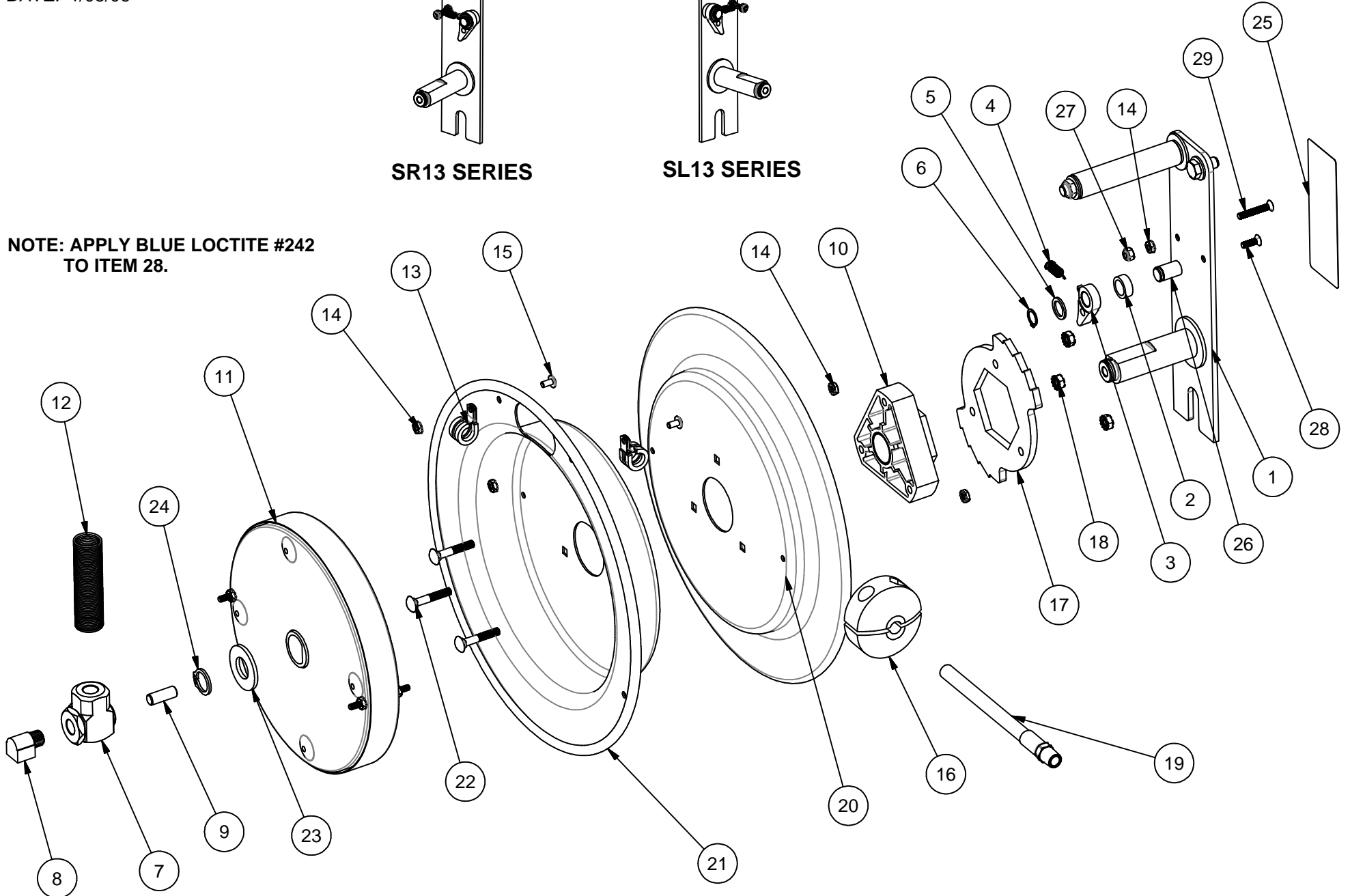


SR13 SERIES



SL13 SERIES

NOTE: APPLY BLUE LOCTITE #242  
TO ITEM 28.



## S 13" MODELS

DETAIL ITEM NO.	PART NO.	DESCRIPTION	SL13-L125	SR13-L125	SL13L-L125	SR13L-L125
1	8539-R	ASSEMBLY, 13" SIDE MOUNT BRACKET	-	1	-	1
	8539-L	ASSEMBLY, 13" SIDE MOUNT BRACKET	1	-	1	-
2	6440-SS	SPACER, SS	1	1	1	1
3	640-1-SS	CAM, LOCKING	1	1	1	1
4	274-1-SS	SPRING	1	1	1	1
5	6441-1	WASHER, SPACER	1	1	1	1
6	6326	RING, RETAINING	1	1	1	1
7	1969	SWIVEL, 1/4"	1	1	1	1
8	6088	ELBOW, 90 DEG., 1/4"	1	1	1	1
9	10235-SS	STUD, 3/8-16 X 1" SS	1	1	1	1
10	1776-3	ASSY., BEARING HUB	1	1	1	1
11	1959-3	ASSY., SPRING CAN, 8"	-	1	-	1
	1959-3R	ASSY., SPRING CAN, 8" REVERSE	1	-	1	-
12	237-1	GUARD, HOSE, 1/4" - 3/8"	1	1	-	-
13	2169	CLAMP, #8	2	2	2	2
14	130	NUT, #10-32 KEPS	5	5	5	5
15	245	SCREW, #10-32 X 3/8"	2	2	2	2
16	131	BALL STOP, 1/4"	1	1	-	-
17	1924	LOCKING RING	1	1	1	1
18	125	NUT, 1/4-20 KEPS	3	3	3	3
19	5150-25	HOSE ASSEMBLY, 1/4" X 25', 300 PSI	1	1	-	-
20	140-1	DISK, 13" X 1"	1	1	1	1
21	139-1	DISK, 13" X 2", W/ SLOT	1	1	1	1
22	1953	BOLT: 1/4-20 X 1-1/2" CARRIAGE	3	3	3	3
23	1755-1	WASHER, SPACER	1	1	1	1
24	1753	RING, RETAINING	1	1	1	1
25	10925-5	LABEL, ID, BLUE	1	1	1	1
26	8423	PIN, LOCKING CAM	1	1	1	1
27	7050	NUT, #10-32 NYLOCK	1	1	1	1
28	8427	SCREW, #10-32 X 5/8" FLAT HEAD	1	1	1	1
29	8428	SCREW, #10-32 X 1-1/4" FLAT HEAD	1	1	1	1

NOTE 1: FOR MODELS WITH **-SB (STEEL BRAID HOSE) OPTION**. USE #5210-25 (ITEM 19) AND 115 (ITEM 13).

NOTE 2: FOR MODELS WITH **-BXC (CONSTANT TENSION) OPTION**. OMIT ITEMS #2, 3, 4, 5, 6, 14 (QTY 1), 17, 26, 27, 28, 29.  
USE #170-1-125 BOLTS IN PLACE OF ITEM #22.

REVISION: -

ECO: -

DATE: 01/05/06

NAME: G. REEDER