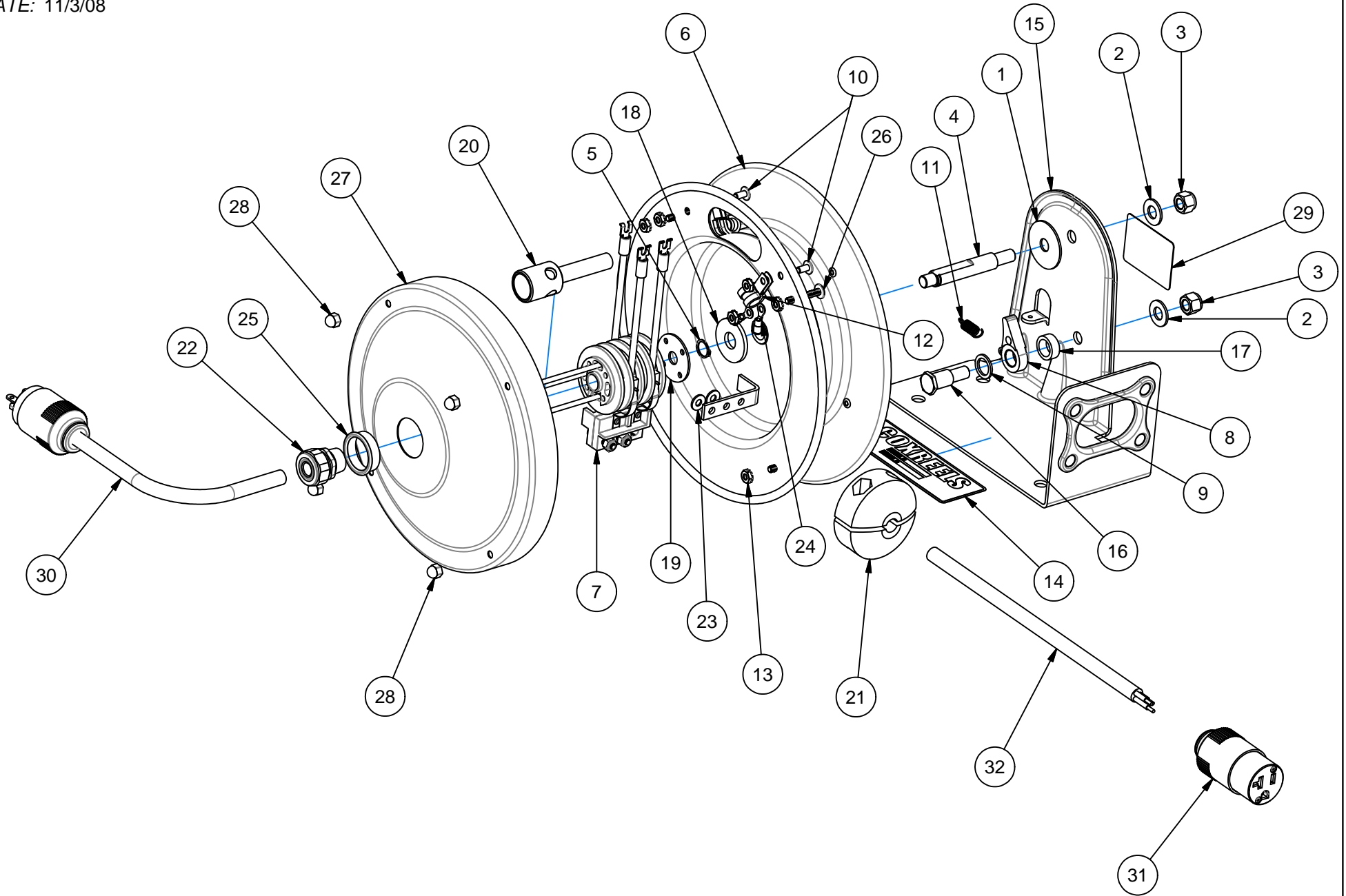


# EXP-16

REVISION: -  
ECO NO.: -  
BY: G. REEDER  
DATE: 11/3/08

# COXREELS PC10 SERIES



PC10 SERIES

DETAIL ITEM NO.	PART NO.	DESCRIPTION	PC10L-3016	PC10-3016-A	PC10-3016-C	PC10-3016-D	PC10-3016-E	PC10-3016-F	PC10-3016-X	PC10-3016-4	PC10L-3012	PC10-3012-A	PC10-3012-B	PC10-3012-F	PC10-3012-X	PC10-2512-4
1	8425	WASHER: 3/8" FENDER, 1.5" O.D.	1	1	1	1	1	1	1	1	1	1	1	1	1	1
2	157	WASHER: 3/8" NARROW	2	2	2	2	2	2	2	2	2	2	2	2	2	2
3	435	NUT: 3/8-16 NYLOCK	2	2	2	2	2	2	2	2	2	2	2	2	2	2
4	8604	AXLE: 1/2" DIAMETER	1	1	1	1	1	1	1	1	1	1	1	1	1	1
5	6326	RING: 1/2" RETAINING	1	1	1	1	1	1	1	1	1	1	1	1	1	1
6	8823	ASSEMBLY: SPRING AND DRUM	1	1	1	1	1	1	1	1	1	1	1	1	1	1
7	7155	SLIP RING: 20-AMP, 3-CONDUCTOR	1	1	1	1	1	1	1	-	1	1	1	1	1	-
	7156	SLIP RING: 20-AMP, 4-CONDUCTOR	-	-	-	-	-	-	-	1	-	-	-	-	-	1
8	640-1-SS	DOG: LOCKING	1	1	1	1	1	1	1	1	1	1	1	1	1	1
9	6441-1	WASHER: SPACER, .065"	1	1	1	1	1	1	1	1	1	1	1	1	1	1
10	245	SCREW: #10-32 X 3/8" PHILLIPS HEAD	2	2	2	2	2	2	2	2	2	2	2	2	2	2
11	274-1-SS	SPRING: LOCK DOG	1	1	1	1	1	1	1	1	1	1	1	1	1	1
12	7199	CLAMP: #7 CABLE	-	-	-	-	-	-	-	-	2	2	2	2	2	2
	7199-1	CLAMP: #6 CABLE	2	2	2	2	2	2	2	2	-	-	-	-	-	-
13	130	NUT: #10-32 KEPS	7	7	7	7	7	7	7	7	7	7	7	7	7	7
14	10925-5	LABEL: STANDARD	1	1	1	1	1	1	1	1	1	1	1	1	1	1
15	8591	ASSEMBLY: BASE, BENCH REEL	1	1	1	1	1	1	1	1	1	1	1	1	1	1
16	1620	BOLT: 1/2" SHOULDER, CUSTOM	1	1	1	1	1	1	1	1	1	1	1	1	1	1
17	6440-SS	SPACER: .286" W X .75" O.D.	1	1	1	1	1	1	1	1	1	1	1	1	1	1
18	8374	WASHER: 1/2" NYLON	1	1	1	1	1	1	1	1	1	1	1	1	1	1
19	8820	RETAINER: ANTI-ROTATION	1	1	1	1	1	1	1	1	1	1	1	1	1	1
20	8819	PORT: INLET, PC10 CORD REEL	1	1	1	1	1	1	1	1	1	1	1	1	1	1
21	131	STOP: 1/4" HOSE	-	-	-	-	-	-	-	-	-	1	1	1	1	1
	131-1	STOP: PC REEL	-	1	1	1	1	1	1	1	-	-	-	-	-	-
22	7168-1	RELIEF: STRAIN, .25" - .35"	1	1	1	1	1	1	1	-	-	-	-	-	-	-
	7168-2	RELIEF: STRAIN, .35" - .45"	-	-	-	-	-	-	-	1	1	1	1	1	1	-
	7168-3	RELIEF: STRAIN, .50" - .60"	-	-	-	-	-	-	-	-	-	-	-	-	-	1
23	9023	WASHER: #10 FLAT	2	2	2	2	2	2	2	2	2	2	2	2	2	2
24	7175-1	TERMINAL: 16-14 GAGE X #10 RING	1	1	1	1	1	1	1	1	-	-	-	-	-	-
	7175-2	TERMINAL: 12-10 GAGE X #10 RING	1	1	1	1	1	1	1	1	2	2	2	2	2	2
25	7167-1	BUSHING: OPEN, PLASTIC	1	1	1	1	1	1	1	1	1	1	1	1	1	1
26	8822	SCREW: #10-32 X 1-1/4" TRUSS HEAD	4	4	4	4	4	4	4	4	4	4	4	4	4	4
27	8821	COVER: PC10 REEL	1	1	1	1	1	1	1	1	1	1	1	1	1	1
28	7196	NUT: #10-32 ACORN	4	4	4	4	4	4	4	4	4	4	4	4	4	4
29	10935	LABEL: CORD REEL USE	1	1	1	1	1	1	1	1	1	1	1	1	1	1
30	7198	CABLE: 16/3 X 5' W/ MOLDED PLUG	-	1	-	1	1	1	1	-	-	-	-	-	-	-
	7247	CABLE: 16/3 X 5' W/ BALLAST & PLUG	-	-	1	-	-	-	-	-	-	-	-	-	-	-
	7173-16	CABLE: 16/4 SJO, BULK	-	-	-	-	-	-	-	5 FT.	-	-	-	-	-	-
	7174-2	CABLE: 12/3 X 5' W/ PLUG	-	-	-	-	-	-	-	-	-	1	1	1	1	-
	7173-12	CABLE: 12/4 SJO, BULK	-	-	-	-	-	-	-	-	-	-	-	-	-	5 FT.
31	7188-5	OUTPUT CABLE: 16/3 SJO X 30' W/ PLUG	-	1	-	-	-	-	-	-	-	-	-	-	-	-
	7208-5	LIGHT: 16/2 X 30' FLUORESCENT TUBE	-	-	1	-	-	-	-	-	-	-	-	-	-	-
	7207-5	LIGHT: 16/3 X 30' FLUORESCENT W/ RECEPT.	-	-	-	1	-	-	-	-	-	-	-	-	-	-
	7206-5	LIGHT: 16/3 X 30' INCANDESCENT W/ RECEPT.	-	-	-	-	1	-	-	-	-	-	-	-	-	-
	7205-1	RECEPTACLE: DUPLEX GFCI, 15-AMP	-	-	-	-	-	1	-	-	-	-	-	-	-	-
	7205-2	RECEPTACLE: DUPLEX GFCI, 20-AMP	-	-	-	-	-	-	-	-	-	-	-	1	-	-
	7215-2	RECEPTACLE: SINGLE, 20-AMP	-	-	-	-	-	-	-	-	-	1	-	-	-	-
7203-2	ASSY.: QUAD BOX, 20-AMP	-	-	-	-	-	-	-	-	-	-	1	-	-	-	
32	7172-16	CABLE: 16/3 SJO, BULK	-	-	-	-	-	30 FT.	30 FT.	-	-	-	-	-	-	-
	7173-16	CABLE: 16/4 SJO, BULK	-	-	-	-	-	-	-	30 FT.	-	-	-	-	-	-
	7172-12	CABLE: 12/3 SJO, BULK	-	-	-	-	-	-	-	-	-	30 FT.	30 FT.	30 FT.	30 FT.	-
	7173-12	CABLE: 12/4 SJO, BULK	-	-	-	-	-	-	-	-	-	-	-	-	-	25 FT.
33*	7176-1	WIRE NUT: ORANGE	-	5	5	5	5	5	5	5	-	-	-	-	-	-
	7176-2	WIRE NUT: YELLOW	-	-	-	-	-	-	-	-	-	5	5	5	5	5

\* ITEM NOT SHOWN

ACCESSORIES

A	SINGLE RECEPTICAL	E	CAGED INCANDESCENT LIGHT
B	QUAD BOX RECEPTICAL	F	DUPLEX GFCI RECEPTICAL
C	FLUORESCENT TUBE LIGHT	X	NONE, CABLE ONLY
D	FLUORESCENT ANGLE LIGHT	4	FOUR-WIRE CABLE READY

REVISION: -

ECO: -

DATE: 11/19/2008

NAME: G. REEDER