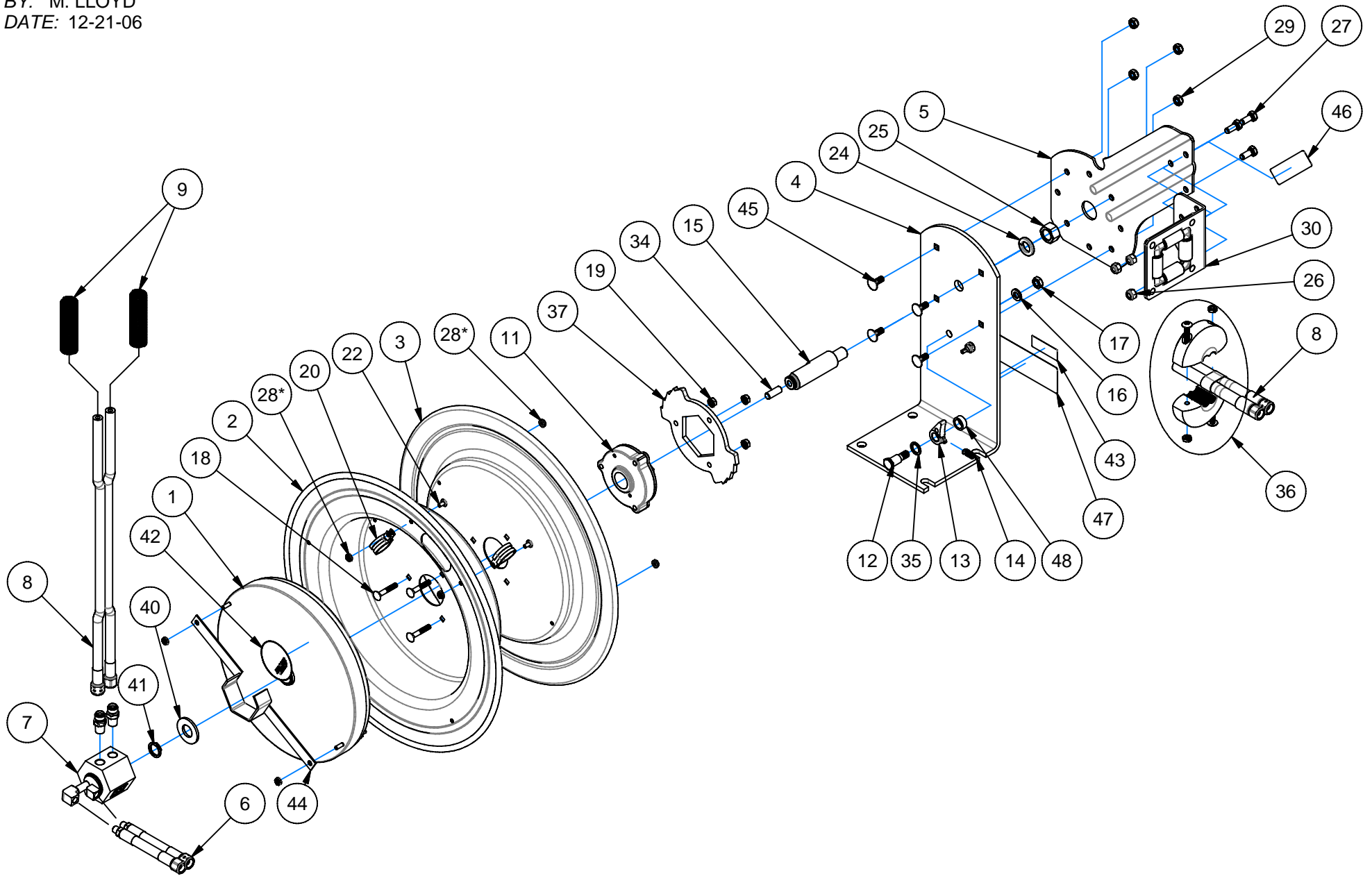


# EXP-11EZ

REVISION: D  
ECO NO.: 2371-3  
BY: M. LLOYD  
DATE: 12-21-06

# COXREELS

## SERIES EZ-SHW, EZ-P-W



\*FOR SHW MODELS, BALLOON NUMBER IS 19.

\*\*EZ-P-W MODEL SHOWN.

## COMMON ON ALL SERIES EZ-SHW EZ-P-W REELS

DETAIL ITEM NO.	PART NO.	DESCRIPTION	EZ-P-W-125	EZ-SHW-150	EZ-SHW-175	EZ-SHW-1100
			QTY REQ'D			
1	691-3	SPRING CAN, 12"		1		
	692-3	SPRING CAN, 15"				1
	695-3	SPRING CAN, 15"			1	
	1961-4	SPRING CAN, 10"	1			
2	1703	DISC, 19"X 2.25"W, W/SLOT		1		
	1705	DISC, 24"X 2.25"W, W/SLOT			1	1
	1948	DISC, 17"X 2.88"W, W/SLOT	1			
3	1702	DISC, 19" X 2.25"W.		1		
	1704	DISC, 24" X 2.25"W.			1	1
	1947	DISC, 17" X 2.88"W.	1			
4	1743-2	BASE, 19" REEL		1		
	1744-2	BASE, 24" REEL			1	1
	1970	BASE, 17" REEL	1			
5	1732	ARM, GUIDE, 19" REEL		1		
	1733	ARM, GUIDE, 24" REEL			1	1
	1732-2	ARM, GUIDE, 17" REEL	1			
6	5423-1.5	HOSE-W, STD, ¼" X18" (ASSY)	1	1	1	1
7	498	SWIVEL, ¼" WELD REEL, VITON (ASSY)	1	1	1	1
* 8	5423-25	HOSE-W, STD, ¼" X 25' (ASSY)	1			
	5423-50	HOSE-W, STD, ¼" X 50' (ASSY)		1		
	5423-75	HOSE-W, STD, ¼" X 75' (ASSY)			1	
	5423-100	HOSE-W, STD, ¼" X 100' (ASSY)				1
* 9	237-1	GUARD, HOSE, ¼"-3/8"	2	2	2	2
11	7474-8-R	EZ COIL				1
	7474-6-R	EZ COIL		1	1	
	7474-4-R	EZ COIL	1			
12	1620	BOLT, SHOULDER, 1/2" X 1-1/2"	1	1	1	1
13	640-1-BR	LOCKING DOG, F7 REEL (SPARKLESS)	1	1	1	1
14	274-1-SS	SPRING, TENSION, LOCKING DOG	1	1	1	1
15	1794	AXLE, 1" OD, 1-1/2" SPRING CAN				1
	1793	AXLE, 1" OD, 1" SPRING CAN		1	1	
	1956	AXLE, 1" OD, 1" SPRING CAN	1			
16	437	WASHER, LOCK, 3/8"	1	1	1	1
17	184	NUT, HEX, JAM, 3/8-16	1	1	1	1
18	1953	BOLT, CARRIAGE, 1/4-20 X 1-1/2", GR 5	3	3	3	3
19	125	NUT, KEPS, 1/4-20	3	7	7	7
20	382	CLAMP, HOSE, #14	2	2	2	2
22	245	SCREW, 10-32 X 3/8, TRUSS/PHP	2	2	2	2
24	438	WASHER, LOCK, 5/8"	1	1	1	1
25	3584	NUT, HEX, 5/8-11	1	1	1	1
26	111	NUT, LOCK, 5/16-18	3	3	3	3
27	312	BOLT, HEX, 5/16-18 X 3/4"	3	3	3	3
28	130	NUT, KEPS, 10-32	4	2	2	2
29	111-1	NUT, LOCK, 5/16-18 (LOW PROFILE)	4	4	4	4
30	1728-1	ROLLER BRACKET, F7 REEL		1		
	1728-3	ROLLER BRACKET, F7 REEL	1			
	1829-2	ROLLER BRACKET, F7 REEL			1	1
34	10235-SS	STUD, SS, 3/8-16 UNC-2A X 1	1	1	1	1
35	6441-1	SPACER, WASHER, .050"W.	1	1	1	1
* 36	633	ASSY, HOSE STOP, ¼" WELD	1	1	1	1
37	1924	LOCKING RING, F7 REEL	1	1	1	1
40	1755-1	WASHER, SPACER, HDPE, BLACK	1	1	1	1
41	1753	RETAINING RING, C (5160-75)	1	1	1	1
42	10937	LABEL, EZ-COIL PRODUCT	1	1	1	1
43	10937-1	LABEL, EZ-COIL PATENT NO.	1	1	1	1
44	1802	BRACKET, 12" WELDING SWIVEL		1		
	1803	BRACKET, 15" WELDING SWIVEL			1	1
	1802-1	BRACKET, 10" WELDING SWIVEL	1			
45	10220-75	BOLT, CARRIAGE, 5/16-18 X 3/4", GR 5	4	4	4	4
46	10950	LABEL, EZ-COIL ARM	1	1	1	1
47	10925-5B	NAMEPLATE, PRODUCT, STD DECAL	1	1	1	1
48	6440-SS	SPACER, WASHER, .286"W., SS	1	1	1	1

\* ON "LESS HOSE" MODELS (EZ-SHWL-/EZ-P-WL-) EXCLUDE ITEMS #8,#9, AND #36.

\* ON "T GRADE HOSE" MODELS (EZ-SHW-T-/EZ-P-W-T-) USE BASE PART NO. FOR HOSE #5424-XX

## REEL ASSEMBLY REPORTS:

R101 LOCKING RING PLACEMENT  
R128 PACKAGING PROCEDURE

REV: D ECO: 2371-3 DATE: 12/21/2006 NAME: M. LLOYD