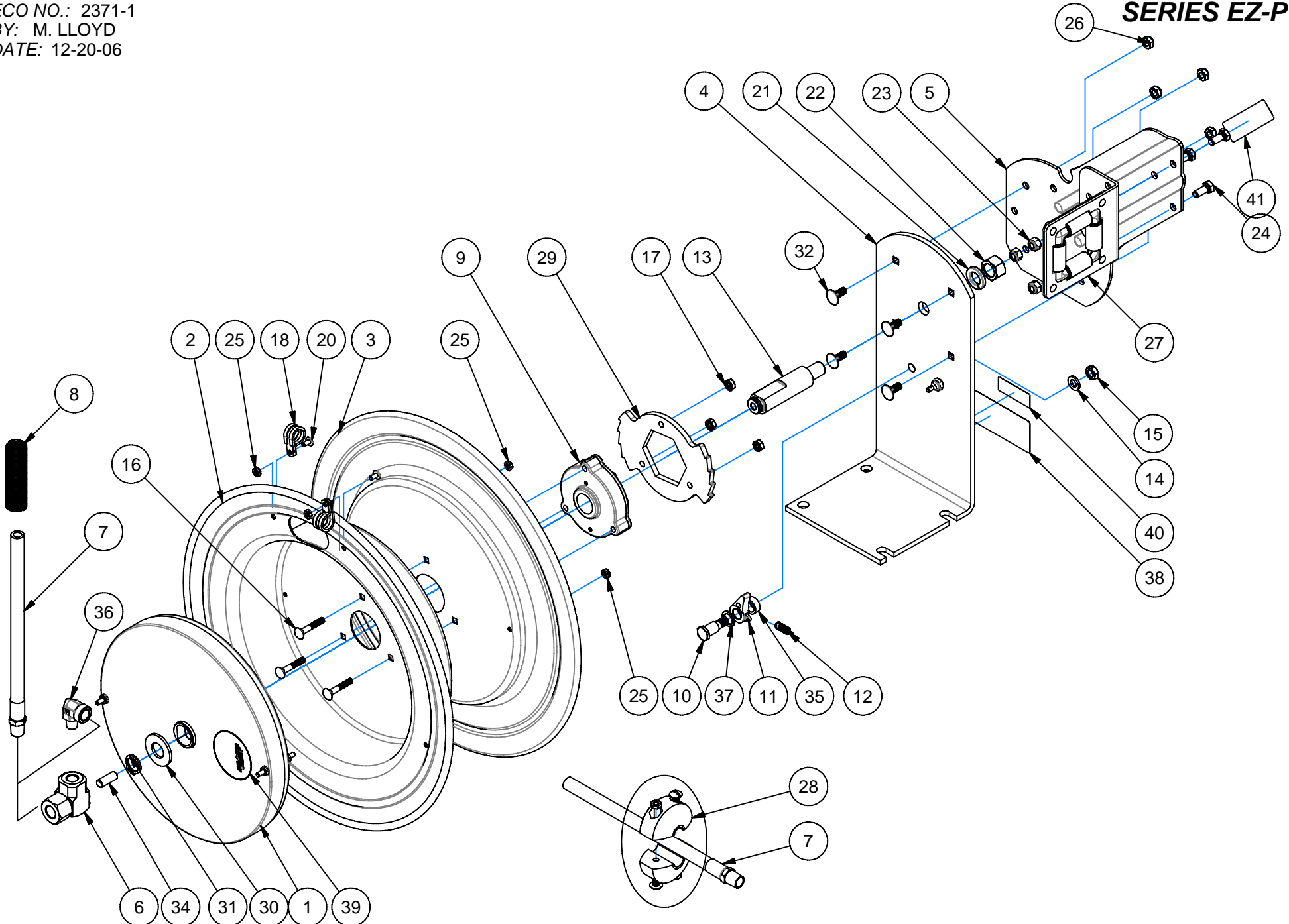


EXP-10EZ

REVISION: G
ECO NO.: 2371-1
BY: M. LLOYD
DATE: 12-20-06

COXREELS SERIES EZ-P



COMMON PARTS TO ALL SERIES EZ-P

ITEM NO.	PART NO.	DESCRIPTION	QTY REQ'D
10	1620	BOLT, SHOULDER, 1/2"x1-1/2"	1
11	640-1-SS	CAM, LOCKING	1
12	274-1-SS	SPRING, DOG	1
14	437	WASHER, LOCK, 3/8"	1
15	184	NUT, JAM, 3/8-16	1
16	1953	CARRIAGE BOLT, 1/4-20 x 1.5	3
17	125	NUT, KEPS, 1/4-20	3
20	245	SCREW, TRUSS HD. 10-32x3/8"	2
21	438	WASHER, LOCK, 5/8"	1
22	3584	NUT, 5/8-11	1
23	111	NUT, LOCK, 5/16-18	3
24	312	BOLT, 5/16-18"	3
25	130	NUT, KEPS, 10-32	4

ITEM NO.	PART NO.	DESCRIPTION	QTY REQ'D
26	111-1	NUT, LOCK, 5/16-18, LOW PROF	4
29	1924	LOCKING RING	1
30	1755-1	WASHER, SPACER	1
31	1753	RETAINING RING (5160-75)	1
32	10220-75	BOLT, CARRIAGE, 5/16-18x3/4"	4
34	10235-SS	SETSCREW 3/8-16x1" CUP PT-SS	1
35	6440-SS	WASHER, SPACER	1
37	6441-1	WASHER, SPACER	1
38	10925-5B	LABEL, ID, STD	1
39	10937	LABEL, EZ-COIL PRODUCT	1
40	10937-1	LABEL, EZ-COIL PATENT NO.	1
41	10950	LABEL, EZ-COIL ARM	1

ITEM NUMBER

MODEL NO.	1	2	3	4	5	6	* 7	* 7	* 7	* 8	9	13	18	27	* 28	36
	SPRING	DRUM	DRUM	BASE	ARM	SWIVEL	HOSE (STD)	HOSE (-OG)	HOSE (-RH)	GUARD HS	EZ-COIL	AXLE	CLAMP	ROLLER B.	BALL ST	ELBOW
EZ-P-LP-125	1958-7	139-1	140-1	1954	1732-1	1969	5150-25	5121-25	3870-25	237-1	7474-3-R	1956	2169	1728-2	131	-
EZ-P-LP-150	689-5	1948	1947	1970	1732-2	1969	5150-50	5121-50	3870-50	237-1	7474-3-R	1956	2169	1728-3	131	-
EZ-P-LP-325	1958-7	139-1	140-1	1954	1732-1	1935	5153-25	5101-25	5045-25	237-1	7474-3-R	1956	381	1728-2	131-3	-
EZ-P-LP-330	689-3	1948	1947	1970	1732-2	1935	5153-30	5101-30	5045-30	237-1	7474-4-R	1956	381	1728-3	131-3	-
EZ-P-LP-335	689-3	1948	1947	1970	1732-2	1935	5153-35	5101-35	5045-35	237-1	7474-4-R	1956	381	1728-3	131-3	-
EZ-P-LP-350	1961-7	1948	1947	1970	1732-2	1935	5153-50	5101-50	5045-50	237-1	7474-4-R	1956	381	1728-3	131-3	-
EZ-P-LP-430	1961-5	1948	1947	1970	1732-2	439	5154-30	5131-30	5066-30	398-1	7474-4-R	1956	383	1728-3	131-4	-
EZ-P-LP-450	2037-6	1948-1	1947	1970	1732-2	439	5154-50	5131-50	5066-50	398-1	7474-6-R	1956	383	1829-2	131-4	-
EZ-P-PLL-350	1961-7	1948	1947	1970	1732-2	433-FG-SS					7474-4-R	1956	381	1728-3		-

ITEM NUMBER

MODEL NO.	1	2	3	4	5	6	* 7			* 8	9	13	18	27	* 28	36
	SPRING	DRUM	DRUM	BASE	ARM	SWIVEL	HOSE			GUARD HS	EZ-COIL	AXLE	CLAMP	ROLLER B.	BALL ST	ELBOW
EZ-P-MP-425	2037-3	1948	1947	1970	1732-2	434	5256-25			398-1	7474-4-R	1956	383	1728-3	131-4	1671
EZ-P-MP-430	2037-2	1948	1947	1970	1732-2	434	5256-30			398-1	7474-6-R	1956	383	1728-3	131-4	1671

ITEM NUMBER

MODEL NO.	1	2	3	4	5	6	* 7			* 8	9	13	18	27	* 28	36
	SPRING	DRUM	DRUM	BASE	ARM	SWIVEL	HOSE			GUARD HS	EZ-COIL	AXLE	CLAMP	ROLLER B.	BALL ST	ELBOW
EZ-P-HP-125	2037-3	1948	1947	1970	1732-2	499	5304-25			237-1	7474-4-R	1956	115	1728-3	131	616
EZ-P-HP-325	2037-3	1948	1947	1970	1732-2	521	5336-25			237-1	7474-4-R	1956	613	1728-3	131-3	617
EZ-P-PHL-350	2037-6	1948	1947	1970	1732-2	433-FG-SS					7474-8-R	1956	381	1728-3		-

* ON "LESS HOSE" MODELS (EZ-P-LPL/EZ-P-MPL/EZ-P-HPL) EXCLUDE ITEMS #7, #8, #28.

NOTE: MODELS SUPPLIED WITH "STANDARD" HOSE UNLESS SUFFIXED WITH "-OG" OR "-RH". USE HOSE NUMBERS AS NOTED ABOVE.

REEL ASSEMBLY REPORTS: R100 (LATCHOUT REMOVAL), R101 (LOCKING RING PLACEMENT), R112 (TIGHTENING AND TORQUING)

REVISION: G ECO: 2371-1 DATE: 12/20/06 NAME: M. LLOYD