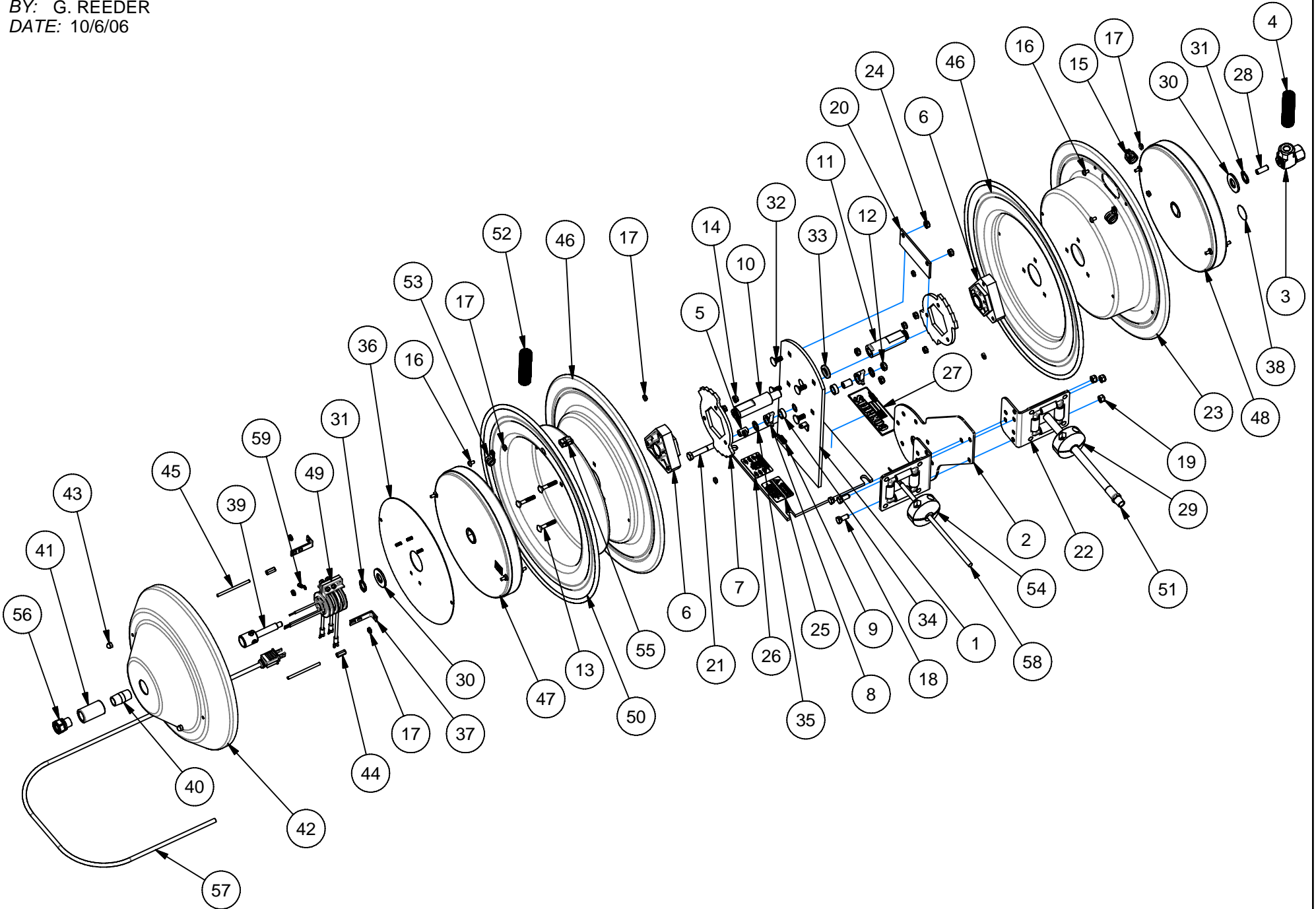


EXP-55

REVISION: A
ECO NO.: 2341
BY: G. REEDER
DATE: 10/6/06

COXREELS SERIES C ELECTRIC / AIR



ITEM	PART	DESCRIPTION	QTY
1	1979	BASE: C-SERIES	1
2	1976	ARM: GUIDE	1
3	1935	SWIVEL: 3/8" NPT	1
*4	237-1	GUARD: HOSE	1
5	6403-SS	BUSHING: STAINLESS	2
6	1776-3	ASSEMBLY: BEARING HUB	2
7	1924	LOCKING RING	2
8	640-1-C-SS	LOCKING DOG	2
9	274-1-SS	SPRING	2
10	1956	AXLE: 1"	1
11	1956-1	AXLE: 1"	1
12	435-1	NUT: 3/8-16 NYLOCK, THIN	1
13	1953	BOLT: 1/4-20 X 1.5" CARRIAGE	6
14	125	NUT: 1/4-20 KEPS	2
15	381	CLAMP: HOSE	2
16	245	SCREW: 10-32 X 3/8" PHILLIPS, QTY = 4 IF 12-GAGE	2
17	130	NUT: #10-32 KEPS, QTY = 11 IF 12-GAGE	9
18	312	BOLT: 5/16-18 X 3/4" HEX	3
19	111	NUT: 5/16-18 NYLOCK	3
20	1975	PLATE: AXLE KEEPER	1
21	1985	BOLT: 3/8-16 X 2.5" HEX	1
22	1728-3	ASSY.: ROLLER BRACKET	2
23	1948	DISK: 17" X 2.88" W/SLOT	1

ITEM	PART	DESCRIPTION	QTY
24	111-1	NUT: 5/16-18 NYLOCK THIN	4
25	10934	LABEL: CAUTION, PC REEL	1
26	10935	LABEL: CORD SPECS, PC REEL	1
27	10925-5	LABEL: PRODUCT, STANDARD	1
28	10235-SS	STUD: 3/8-16 X 1" SS	1
*29	131-3	BALL STOP, 3/8" HOSE	1
30	1755-1	WASHER: SPACER	2
31	1753	RING: RETAINING, 5160-75	2
32	10220-75	BOLT: 5/16-18 X 3/4" CARRIAGE	4
33	438	WASHER: 5/8" LOCK	1
34	6440-SS	SPACER: .286" W x .75" O.D.	2
35	6441-1	WASHER: SPACER, .065"	2
36	7166-1	WELDMENT: ELEC. MOUNTING PLATE	1
37	7160	SUPPORT: BRUSH CONTACT	2
38	10939	LABEL: CAUTION, AIR ONLY	1
39	7161	PORT: INLET	1
40	7785	NIPPLE: 1/2-14 X 1-1/2" LONG PIPE	1
41	7116	COUPLING: 1/2-14 FXF	1
42	7180	COVER: 17" PC REELS	1
43	7196	NUT: #10-32 ACORN	2
44	7163	NUT: #10-32 X 3/4" COUPLING	2
45	7197	STUD: #10-32 X 3"	2
46	1947	DISK: 17" X .88	2

ITEM NUMBER

MODEL	ITEM NUMBER															
	47	48	49	50	* 51			** 52	53	** 54	55	56	** 57	** 58	** 59	** 60
	SPRING	SPRING	SLIP RING	DRUM	HOSE (STD)	HOSE (-OG)	HOSE (-RH)	GRD. CABLE	CLAMP (2)	STOP	BUSHING, 90	STR. RELIEF	INPUT CABLE	CABLE FT.	TERM RING	WIRE NUT (5)
C-L335-3516-X	689-7	689-3R	7155	7867	5153-35	5101-35	5045-35	-	-	131-1	7169-2	7168-1	7198 ***	7172-16	7175-1	7176-1
C-L335-5016-X	689-6	689-3R	7155	7867	5153-35	5101-35	5045-35	-	-	131-1	7169-2	7168-1	7198 ***	7172-16	7175-1	7176-1
C-L350-3516-X	689-7	1961-7R	7155	7867	5153-50	5101-50	5045-50	-	-	131-1	7169-2	7168-1	7198 ***	7172-16	7175-1	7176-1
C-L350-5016-X	689-6	1961-7R	7155	7867	5153-50	5101-50	5045-50	-	-	131-1	7169-2	7168-1	7198 ***	7172-16	7175-1	7176-1
C-L335-3516-4	689-7	689-3R	7156	7867-1	5153-35	5101-35	5045-35	-	-	131-1	7169-3	7168-2	7173-16	7173-16	7175-1	7176-1
C-L335-5016-4	689-6	689-3R	7156	7867-1	5153-35	5101-35	5045-35	-	-	131-1	7169-3	7168-2	7173-16	7173-16	7175-1	7176-1
C-L350-3516-4	689-7	1961-7R	7156	7867-1	5153-50	5101-50	5045-50	-	-	131-1	7169-3	7168-2	7173-16	7173-16	7175-1	7176-1
C-L350-5016-4	689-6	1961-7R	7156	7867-1	5153-50	5101-50	5045-50	-	-	131-1	7169-3	7168-2	7173-16	7173-16	7175-1	7176-1
C-L335-3514-X	689-7	689-3R	7155	7867-1	5153-35	5101-35	5045-35	-	-	131	7169-3	7168-2	7174-5	7172-14	7175-1	7176-1
C-L335-5014-X	689-6	689-3R	7155	7867-1	5153-35	5101-35	5045-35	-	-	131	7169-3	7168-2	7174-5	7172-14	7175-1	7176-1
C-L350-3514-X	689-7	1961-7R	7155	7867-1	5153-50	5101-50	5045-50	-	-	131	7169-3	7168-2	7174-5	7172-14	7175-1	7176-1
C-L350-5014-X	689-6	1961-7R	7155	7867-1	5153-50	5101-50	5045-50	-	-	131	7169-3	7168-2	7174-5	7172-14	7175-1	7176-1
C-L335-3514-4	689-7	689-3R	7156	7867-1	5153-35	5101-35	5045-35	-	-	131	7169-3	7168-2	7173-14	7173-14	7175-1	7176-1
C-L335-5014-4	689-6	689-3R	7156	7867-1	5153-35	5101-35	5045-35	-	-	131	7169-3	7168-2	7173-14	7173-14	7175-1	7176-1
C-L350-3514-4	689-7	1961-7R	7156	7867-1	5153-50	5101-50	5045-50	-	-	131	7169-3	7168-2	7173-14	7173-14	7175-1	7176-1
C-L350-5014-4	689-6	1961-7R	7156	7867-1	5153-50	5101-50	5045-50	-	-	131	7169-3	7168-2	7173-14	7173-14	7175-1	7176-1
C-L335-3512-X	689-5	689-3R	7155	7193	5153-35	5101-35	5045-35	237-1	7199	131	-	7168-2	7174-2	7172-12	7175-2	7176-2
C-L335-5012-X	1961-2	689-3R	7155	7193	5153-35	5101-35	5045-35	237-1	7199	131	-	7168-2	7174-2	7172-12	7175-2	7176-2
C-L350-3512-X	689-5	1961-7R	7155	7193	5153-50	5101-50	5045-50	237-1	7199	131	-	7168-2	7174-2	7172-12	7175-2	7176-2
C-L350-5012-X	1961-2	1961-7R	7155	7193	5153-50	5101-50	5045-50	237-1	7199	131	-	7168-2	7174-2	7172-12	7175-2	7176-2
C-L335-3512-4	689-5	689-3R	7156	7193	5153-35	5101-35	5045-35	237-1	7199	131	-	7168-3	7173-12	7173-12	7175-2	7176-2
C-L335-5012-4	1961-2	689-3R	7156	7193	5153-35	5101-35	5045-35	237-1	7199	131	-	7168-3	7173-12	7173-12	7175-2	7176-2
C-L350-3512-4	689-5	1961-7R	7156	7193	5153-50	5101-50	5045-50	237-1	7199	131	-	7168-3	7173-12	7173-12	7175-2	7176-2
C-L350-5012-4	1961-2	1961-7R	7156	7193	5153-50	5101-50	5045-50	237-1	7199	131	-	7168-3	7173-12	7173-12	7175-2	7176-2

ACCESSORIES (REPLACE "X" WITH APPROPRIATE OPTION):

A - SINGLE IND. RECEPTICAL B - QUAD BOX IND. RECEPTICAL C - FLUORESCENT TUBE LIGHT D - FLUORESCENT ANGLE LIGHT E - CAGED INCANDESCENT LIGHT F - DUPLEX RECEPTICAL, GFCI X - NONE 4 - FOUR WIRE CABLE READY

OPTION:	16 GA REEL ACCESSORY ITEMS (WITH #57)
A	7188-1 RCPT, SINGLE, MOLDED, 35'
	7188-2 RCPT, SINGLE, MOLDED, 50'
C	7208-1 TUBE LIGHT, FLRS, 35'
	7208-2 TUBE LIGHT, FLRS, 50'
D	7207-1 ANGLE LIGHT, FLRS, 35'
	7207-2 ANGLE LIGHT, FLRS, 50'
E	7206-1 CAGED LIGHT, INCD, 35'
	7206-2 CAGED LIGHT, INCD, 50'
F	7205-1 RCPT, DUPLEX, GFCI, 15 AMP
X	NONE NO ACCESSORY
4	NONE NO ACCESSORY

OPTION:	14 GA REEL ACCESSORY ITEMS (WITH #57)
A	7215-1 RCPT, SINGLE, 15 AMP
F	7205-1 RCPT, DUPLEX, GFCI, 15 AMP
X	NONE NO ACCESSORY
4	NONE NO ACCESSORY

OPTION:	12 GA REEL ACCESSORY ITEMS (WITH #57)
A	7215-2 RCPT, SINGLE, 20 AMP
B	7203-2 RCPT, QUAD BOX, 20 AMP
F	7205-2 RCPT, DUPLEX, GFCI, 20 AMP
X	NONE NO ACCESSORY
4	NONE NO ACCESSORY

*** NOTE: ON "OPTION C" MODELS, REPLACE ITEM #57 WITH INPUT CABLE #7247

** ON "LESS CABLE" MODELS (EXAMPLE: C-L335-3516L-) EXCLUDE ITEMS #52, #54, #57, #58, #59, #60

* ON "LESS HOSE" MODELS (EXAMPLE: C-L335L-3516-) EXCLUDE ITEMS #51, #4, AND #29.

NOTE: MODELS SUPPLIED WITH "STANDARD" HOSE UNLESS SUFFIXED WITH "-OG" OR "-RH". USE HOSE NUMBERS AS NOTED ABOVE.

REEL ASSEMBLY REPORTS:

R100 (LATCHOUT REM.), R101 (LOCKING RING PLACEMENT), R112 (TIGHTENING AND TORQUE) OPERATING INST #028 (CORD INSTALLATION PROCEDURE)