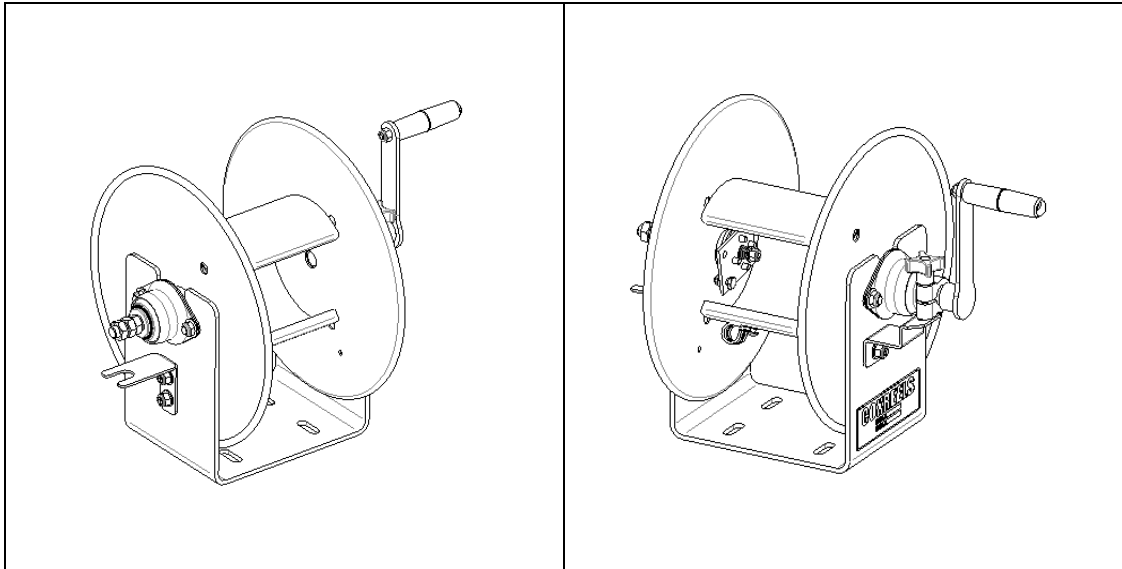




**HAND CRANK WELDING CABLE REEL:
SERIES 100WC**



COXREELS

The technical data and images which appear in this manual are for informational purposes only. **NO WARRANTIES, EXPRESS OR IMPLIED, INCLUDING WARRANTIES OF MERCHANTABILITY OR FITNESS FOR A PARTICULAR PURPOSE, ARE CREATED BY THE DESCRIPTIONS AND DEPICTIONS OF THE PRODUCTS SHOWN IN THIS MANUAL.** COXREELS makes no warranty (and assumes no liability) as to function of equipment or operation of systems built according to customer design or of the ability of any of its products to interface, operate or function with any portions of customer systems not provided by COXREELS.

COXREELS agrees to repair or exchange the goods sold hereunder necessitated by reason of defective workmanship and material discovered and reported to COXREELS within two years after original invoice date.

Except where the nature of the defect is such that it is appropriate, in COXREELS' judgment, to effect repairs on site, COXREELS' obligation hereunder to remedy defects shall be limited to repairing or replacing (at COXREELS' option) FOB COXREELS Factory, any part returned to COXREELS at the risk and cost of Buyer. Defective parts replaced shall become the property of COXREELS.

COXREELS shall only be obligated to make such repair or replacement if the goods have been used by Buyer only in service recommended. COXREELS is not responsible for defects which arise from improper installation, neglect, improper use of or from normal wear and tear.

COXREELS obligation shall be limited by the manufacturer's warranty (and is not further warranted by COXREELS) for all parts procured from others according to published data, specifications or performance information not designed by COXREELS.

COXREELS further agrees to replace or at COXREELS' option to provide a refund of the sales price of any goods that do not conform to applicable specifications or which differ from that agreed to be supplied which non-conformity is discovered and forthwith reported to COXREELS within 30 days after shipment to the Buyer. COXREELS' obligation to replace or refund the purchase price for non-conforming goods shall arise once the Buyer returns such goods FOB COXREELS Factory at the risk and cost of Buyer. Goods replaced by COXREELS shall become property of COXREELS.

COXREELS liability on any claim, whether in contract, tort (including negligence), or otherwise, for any loss or damage arising out of, connected with, or resulting from the manufacture, sale, delivery, resale, repair, replacement or use of any products or services shall in no case exceed the price paid for the product or services or any part thereof which give rise to the claim. In no event shall COXREELS be liable for consequential, special, incidental or other damages, nor shall COXREELS be liable in respect of personal injury or damage to property not the subject matter hereof unless attributable to gross misconduct of COXREELS, which shall mean an act or omission by COXREELS demonstrating reckless disregard of the foreseeable consequences thereof.

COXREELS is not responsible for incorrect choice of models or where products are used in excess of their rated and recommended capacities and design functions or under abnormal conditions. COXREELS assumes no liability for loss of time, damage or injuries to property or persons resulting from the use of COXREELS products. Buyer shall hold COXREELS harmless from all liability, claims, suits and expenses in connection with loss or damage resulting from operation of products or utilization of services, respectively, of COXREELS and shall defend any suit or action which might arise there from in Buyer's name – provided that COXREELS shall have the right to elect to defend any such suit or action for the account of Buyer. The foregoing shall be the exclusive remedies of the Buyer and all persons and entities claiming through the Buyer.

NOTE: All designs, specifications, and dimensional data contained in this publication are subject to change without notice.



WARNING – APPLICATION

- ❖ THE PRODUCTS IN THIS INSTALLATION AND MAINTENANCE MANUAL HAVE BEEN TESTED UNDER CONTROLLED LABORATORY CONDITIONS TO MEET SPECIFIC TEST CRITERIA. THESE TESTS ARE NOT INTENDED TO REFLECT THE PERFORMANCE OF THE PRODUCTS OR ANY OTHER MATERIAL IN ANY SPECIFIC APPLICATION, BUT ARE INTENDED TO PROVIDE THE USER WITH APPLICATION GUIDELINES. THE PRODUCTS ARE INTENDED FOR USE BY KNOWLEDGEABLE PERSONS HAVING THE TECHNICAL SKILL NECESSARY TO EVALUATE THEIR SUITABILITY FOR SPECIFIC APPLICATIONS.



WARNING – USER RESPONSIBILITY

- ❖ THE USER, THROUGH ITS OWN ANALYSIS AND TESTING, IS SOLELY RESPONSIBLE FOR MAKING THE FINAL SELECTION OF THE SYSTEM AND COMPONENTS AND ASSURING THAT ALL PERFORMANCE, ENDURANCE, MAINTENANCE, SAFETY AND WARNING REQUIREMENTS OF THE APPLICATION ARE MET.
- ❖ TO THE EXTENT THAT COXREELS PROVIDE COMPONENT OR SYSTEM OPTIONS BASED UPON DATA OR SPECIFICATIONS PROVIDED BY THE USER, THE USER IS RESPONSIBLE FOR DETERMINING THAT SUCH DATA AND SPECIFICATIONS ARE SUITABLE AND SUFFICIENT FOR ALL APPLICATIONS AND REASONABLY FORESEEABLE USES OF THE COMPONENTS OR SYSTEM.



WARNING – SAFETY

- ❖ READ ALL SAFETY INSTRUCTIONS CAREFULLY BEFORE ATTEMPTING TO INSTALL, OPERATE, OR MAINTAIN THIS PRODUCT. ONLY QUALIFIED PERSONNEL SHOULD UNDERTAKE THE INSTALLATION AND COMMISSIONING OF THIS PRODUCT. FAILURE TO COMPLY WITH INSTRUCTIONS COULD RESULT IN PERSONAL INJURY AND/OR PROPERTY DAMAGE.
- ❖ FAILURE TO FOLLOW RECOMMENDED APPLICATION INFORMATION AND RECOMMENDED PROCEDURES FOR SELECTION, INSTALLATION, CARE, MAINTENANCE AND STORAGE OF REEL ASSEMBLY, SWIVEL, HOSE, COUPLINGS OR HOSE ASSEMBLIES MAY RESULT IN FAILURE TO PERFORM PROPERLY AND MAY RESULT IN DAMAGE TO PROPERTY AND SERIOUS BODILY INJURY.
- ❖ FOLLOW GOOD MAINTENANCE PRACTICES – ESTABLISH A PROGRAM OF INSPECTION, TESTING AND REPLACEMENT OF REEL COMPONENTS, ACCESSORIES AND OR BRACKETS FROM FACTORS INCLUDING:
 - SEVERITY OF APPLICATION, FREQUENCY OF EQUIPMENT USE, AND PAST PERFORMANCE OF REEL COMPONENTS
- ❖ ONLY PROPERLY TRAINED PERSONS SHOULD INSPECT, TEST OR SERVICE REEL AND HOSE/CABLE ASSEMBLIES. PERIODIC UPDATING OF TRAINING IS RECOMMENDED. DOCUMENT MAINTENANCE, INSPECTIONS AND TESTING.
- ❖ **PROP 65 WARNING:** Handling of brass material on this product exposes you to lead, a chemical known to the State of California to cause birth defects or other reproductive harm. *"WASH HANDS AFTER USE"*

SAFETY



PRESSURE WARNINGS

- This equipment should be properly installed before use in accordance with local codes and ordinances.
- PSI warnings are not applicable to operation of this series of reels.



OPERATIONAL WARNINGS

- Exercise care when handling the cable reel during normal operation.
- Do not use cable different from that for which the reel is intended. Changes in diameter, weight per foot, length of cable or flexibility (Minimum Bend Radius) will affect the operation of the reel.
- Mounting hardware and fasteners should be installed to maintain tightness under vibration and checked periodically to ensure tightness.
- Overhead installation mountings should be such that the reel is not supported by bolts in tension. A safety chain, cable, enclosure or netting is strongly recommended to minimize damage and/or possible injury in the event of a mounting failure.



MAINTENANCE WARNINGS

- Modification of the equipment may cause excessive wear and will void the warranty. Contact COXREELS regarding changes or modifications of equipment which could affect reliability or safety.

**SPECIFICATIONS & LISTINGS**

- The identified Series of Cable Reel products within this manual are not certified or listed by any independent certifying or regulatory body.
- This series of cable reels is intended for industrial use and are provided with permanent mounting means, with the exception of the portable reel models.

**PRESSURE & TEMPERATURE RATING**

- Cable reels should not be used at temperatures below or above the rating of the cable.
- The operational rating of a reel not equipped with cable is determined by the capacity of the installed cable. (Please refer to the COXREELS catalog, website or contact Customer Service for reel/hose specific data). Variations in the OD of higher rated cable will affect the operational capacity of the reel.
- PSI ratings are not applicable to the operation of this series of reels.

**LABELS & MARKINGS**

Cable Reels with and without cable

- The marking of the cable reel provided with or without cable includes the following
 - The label on the frame includes the COXREELS name and Logo, the product catalog number, the individual product serial number, rating and what type and length of cable intended for use on the reel.
 - The maximum rating for every cable reel supplied without cable is marked on the COXREELS Identification Label. In the absence of this information, refer to website, catalog, or customer service. Actual rating is determined by the installed cable and is not to exceed the indicated maximum operational rating. The rating of the cable installed on reels provided without cable must be marked on the cable/label upon installation.

**PERSONAL SAFETY**

- Ensure reel has been properly installed before connecting supply line.
- Before connecting to reel, be certain supply line does not exceed rated pressure of the hose reel or voltage / amperage rating on cable reel.
- Thoroughly review the "Cable Installation" instructions to properly install Cable.
- Perform "Operational Check" per instructions to ensure reel is operating properly.



WARNING: Prevent static sparking. When working around flammables, ensure that the cable reel, cable, and equipment are properly grounded.



WARNING: READ THESE INSTRUCTIONS CAREFULLY BEFORE ATTEMPTING TO INSTALL, OPERATE, OR MAINTAIN THIS PRODUCT. ONLY QUALIFIED PERSONNEL SHOULD UNDERTAKE THE INSTALLATION AND COMMISSIONING OF THIS PRODUCT. FAILURE TO COMPLY WITH INSTRUCTIONS COULD RESULT IN PERSONAL INJURY AND/OR PROPERTY DAMAGE.

INSTALLATION

MOUNTING OF REEL / FASTEN CRANK HANDLE

- The 100WC Series welding cable reel should be mounted to a solid structure before installation of cable and operation using (4) 3/8" bolts, nuts, and washers (not included).
- The reel base is equipped with four mounting holes to utilize 3/8" diameter hardware (not included).
- Reels are supplied with plastic crank handle uninstalled. Remove handle and supplied hardware from plastic bag and install onto crank arm.

INSTALLATION OF INLET CABLE

- Install inlet cable onto copper stud underneath the first 1/2-13 brass nut as shown in **Figure 1**.
- Route cable through cable keeper slot and use a wrench on brass nut under the connector to hold firmly in place while tightening.
- The cable keeper will help prevent inlet cable rotation during reel operation.

INSTALLATION OF OUTLET CABLE

NOTE: Before proceeding, ensure that you are installing the proper size, length and type of cable that the reel is rated for. Consult factory if unsure of rating. Damage may occur if wrong cable and/or length is installed.

- Securely stabilize the reel.
- Fasten the cable to the slip ring assembly with the supplied 1/4-20 brass bolt and nut as shown in **Figure 2**.
- Route the cable along the drum and secure supplied cable clamps. **Figure 3** shows proper cable routing.



NOTE: outlet cable connection should not provide any side pressure on the slip ring assembly. Any side pressure on the slip ring assembly could cause the slip ring brushes to lose contact with the collector ring.

- Ensure that cable connector ends do not come in contact with the reel. The use of heavy duty insulating heat shrink tubing and/or protective end boots is recommended.
- Wrap cable onto reel using proper size and length.

OPERATIONAL CHECK

- Check for correct operation by pulling out some of the cable. A slight friction or drag should be noticed. This drag is to prevent backlash when pulling out cable.
- Adjust drag brake. Turn clockwise to increase tension and counter-clockwise to decrease tension. See **Figure 4**.

SLIP RING BRUSH REPLACEMENT

- Remove cable completely from drum of reel.
- Disconnect cable clamps and cable from slip ring assembly.
- Remove brush retaining nut to access worn brushes.
- Replace with new copper-graphite brushes.
- Reverse above procedure to reassemble slip ring and cable onto reel.

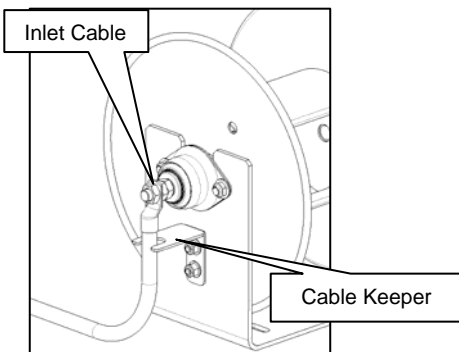


Figure 1

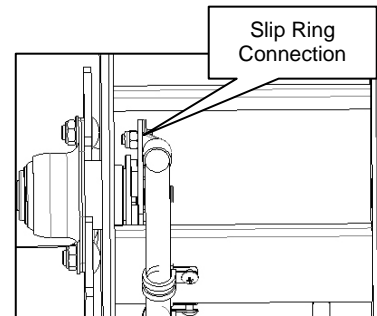


Figure 2

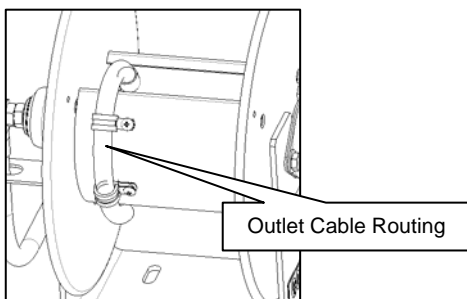


Figure 3

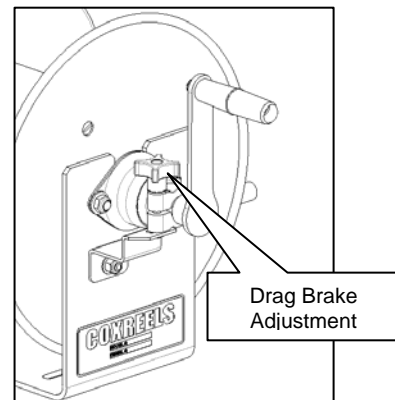


Figure 4

TROUBLE SHOOTING GUIDE



TROUBLE	CAUSE	REMEDY
CABLE WILL NOT FULLY FIT ONTO DRUM OF REEL	a) Cable is longer than specified. b) Outside diameter of cable is larger than specified capacity. c) Cable was not hand guided onto reel and wound up evenly on drum.	a) Cut down cable to meet reels specified capacity. b) Replace cable with one that meets specified maximum outside diameter requirements. c) Hand guide cable onto drum as it is wound onto the reel.
REEL KEEPS TURNING WHEN OPERATOR STOPS PULLING OUT CABLE	Tension drag brake is too loose causing cable backlash	Adjust tension drag brake by turning knob clockwise.
NO ELECTRICAL CURRENT AT OUTPUT END OF CABLE	a) Cable is severed b) Slip ring brushes are worn	a) Replace cable b) Replace slip ring brushes c) Note: ensure current does not exceed rated amperage.