

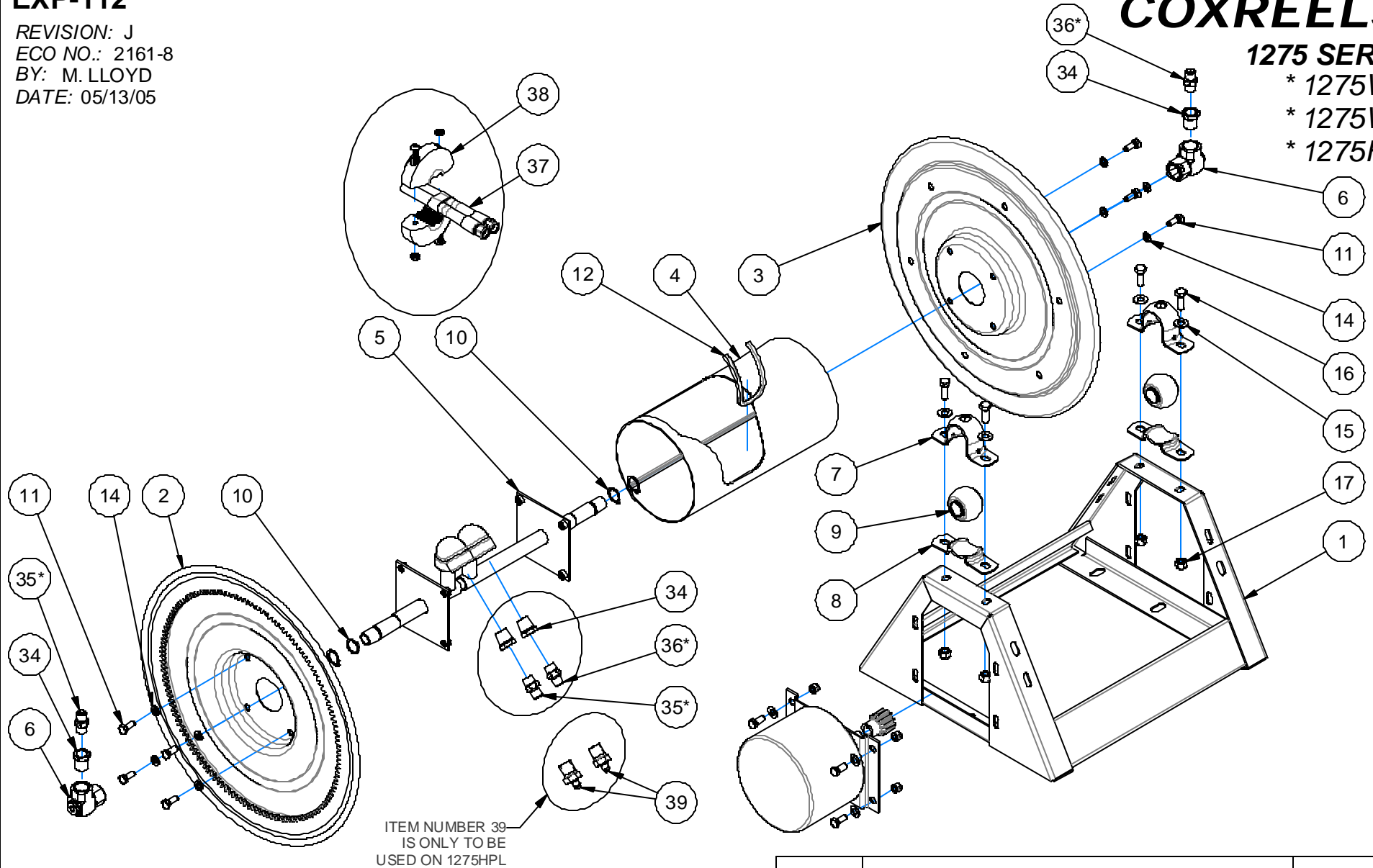
# EXP-112

REVISION: J  
 ECO NO.: 2161-8  
 BY: M. LLOYD  
 DATE: 05/13/05

# COXREELS

## 1275 SERIES

- \* 1275WL
- \* 1275W
- \* 1275HPL



MOTOR OPTIONS AVAILABLE ON 1275 SERIES REELS  
 NOTE: ONLY "A" AND "H" OPTIONS AVAILABLE ON 1275W SERIES.  
 ONLY "A" AND "E" OPTIONS AVAILABLE ON 1275HPL SERIES.  
 (FOR INDIVIDUAL PART NUMBERS SEE DRAWING #CM-1125)

OPTION	MOTOR TYPE	KIT NUMBER
-A	AIR	CM-1125-
-EA	115VAC ELECTRIC, EXPL. PROOF (1/2HP)	CM-1125-
-EB	24VDC ELECTRIC, EXPL. PROOF (1/2HP)	CM-1125-
-ED	12VDC ELECTRIC, EXPL. PROOF (1/2HP)	CM-1125-
-E	12VDC ELECTRIC (1/3HP)	CM-1125-
-H	HYDRAULIC	CM-1125-

INCLUDED PARTS ON 1275 SERIES REELS (W/MOTOR)

COMMON PARTS TO ALL 1275 MODELS

ITEM NO.	PART NO.	DESCRIPTION	QTY REQ'D
2	7450	DISC, W/ GEAR	1
3	7416	DISC	1
7	20064-T	PILLOW BLOCK, MTG (TOP)	2
8	20064-B	PILLOW BLOCK, MTG (BTM)	2
9	20649	BEARING	2
10	153	RETAINING RING	4
11	312	BOLT, HEX, 5/16-18 X 3/4"	8
12	7460-11	TRIM, DRUM EDGE	1
14	112	WASHER, LOCK, 5/16	8
15	157	WASHER, FLAT, 3/8	4
16	20016	BOLT, HEX, 3/8-16 X 1"	4
17	435	NUT, LOCK, 3/8-16	4

ITEM NUMBER

MODEL NO.	1	4	5	6	34	35	36	37	38	39
	FRAME	DRUM,CENTER	ASSY,AXLE	SWIVEL (2)	ADAPTOR (4) 1/2"NPTM X 3/8" NPTF	ADAPTOR (2) 3/8"NPTM X 9/16" M RHT	ADAPTOR (2) 3/8"NPTM X 9/16" M LHT	HOSE ASSY. 3/8" X 3/8" DUAL	BALL STOP	OUTLET OPTION
1275-4-50-X	7456-8	7473-8	7470-8	439						
1275-4-100-X	7456-12	7473-12	7470-12	439						
1275-4-150-X	7456-18	7473-18	7470-18	439						
1275-4-200-X	7456-24	7473-24	7470-24	439						
1275HPL-X-8-X	7456-8	7473-8	7703-8	7707	SEE NOTE					SEE NOTE
1275HPL-X-12-X	7456-12	7473-12	7703-12	7707	BELOW					BELOW
1275WL-3-100-X	7456-8	7473-8	7470-8	439-1	7545	7546	7547			
1275WL-3-150-X	7456-12	7473-12	7470-12	439-1	7545	7546	7547			
1275WL-3-250-X	7456-18	7473-18	7470-18	439-1	7545	7546	7547			
1275WL-3-350-X	7456-24	7473-24	7470-24	439-1	7545	7546	7547			
1275W-3-100-X	7456-8	7473-8	7470-8	439-1	7545	7546	7547	7539-100	633	
1275W-3-150-X	7456-12	7473-12	7470-12	439-1	7545	7546	7547	7539-150	633	
1275W-3-250-X	7456-18	7473-18	7470-18	439-1	7545	7546	7547	7539-250	633	
1275W-3-350-X	7456-24	7473-24	7470-24	439-1	7545	7546	7547	7539-350	633	

NOTE: ON ALL 1275HPL SERIES MODELS INLET IS ALWAYS 1/4" NPT FEMALE. THE FIRST "X" REPRESENTS OUTLET OPTION USING **ITEM #39** ADAPTOR. OUTLET OPTIONS: **4** = 1/2" NPT FEMALE (STD-NO ADAPTOR) **A** = -4 JIC MALE (#7817) **B** = -5 JIC MALE (#7818) WITH 1/2"X3/8" REDUCER (#7540) **ITEM #34** **C** = 1/4" BSP FEMALE (#7821) **D** = M14 X 1.5 FEMALE (#7848)

NOTE: PART NUMBER SUFFIX "-X" IS MOTOR OPTIONS A, EA, ED, E, OR H AVAILABLE ON ALL 1275 SERIES MODELS.  
 ONLY "A" AND "H" MOTOR OPTIONS ARE AVAILABLE ON 1275W SERIES MODELS.  
 ONLY "A" AND "E" MOTOR OPTIONS ARE AVAILABLE ON 1275HPL SERIES MODELS.