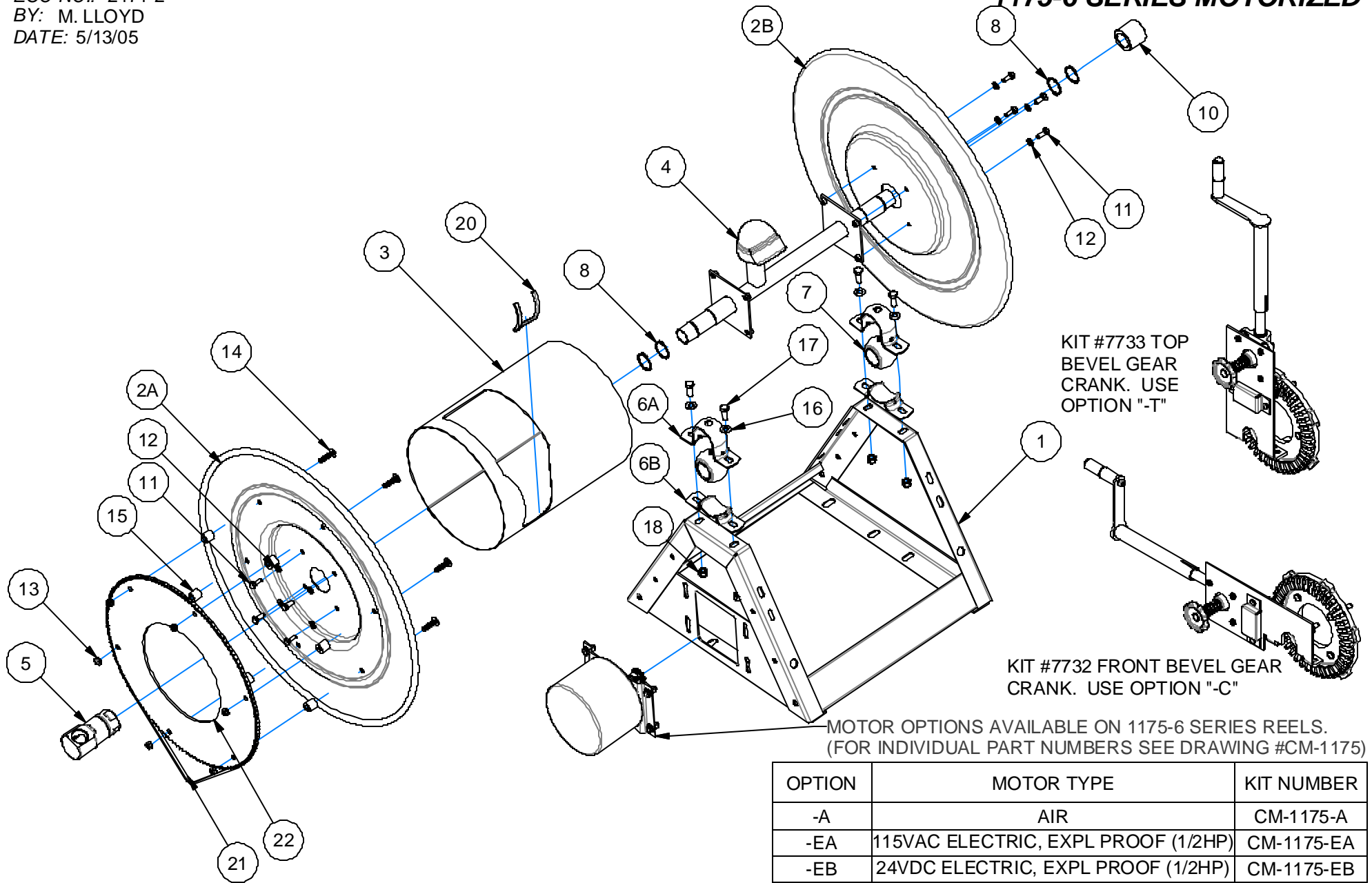


# EZP-185

REVISION: E  
 ECO NO.: 2171-2  
 BY: M. LLOYD  
 DATE: 5/13/05

# COXREELS

## 1175-6 SERIES MOTORIZED



MOTOR OPTIONS AVAILABLE ON 1175-6 SERIES REELS.  
 (FOR INDIVIDUAL PART NUMBERS SEE DRAWING #CM-1175)

OPTION	MOTOR TYPE	KIT NUMBER
-A	AIR	CM-1175-A
-EA	115VAC ELECTRIC, EXPL PROOF (1/2HP)	CM-1175-EA
-EB	24VDC ELECTRIC, EXPL PROOF (1/2HP)	CM-1175-EB
-ED	12VDC ELECTRIC, EXPL PROOF (1/2HP)	CM-1175-ED
-E	12VDC ELECTRIC (1/3HP)	CM-1175-E
-H	HYDRAULIC	CM-1175-H