

EXP-201

REVISION: C

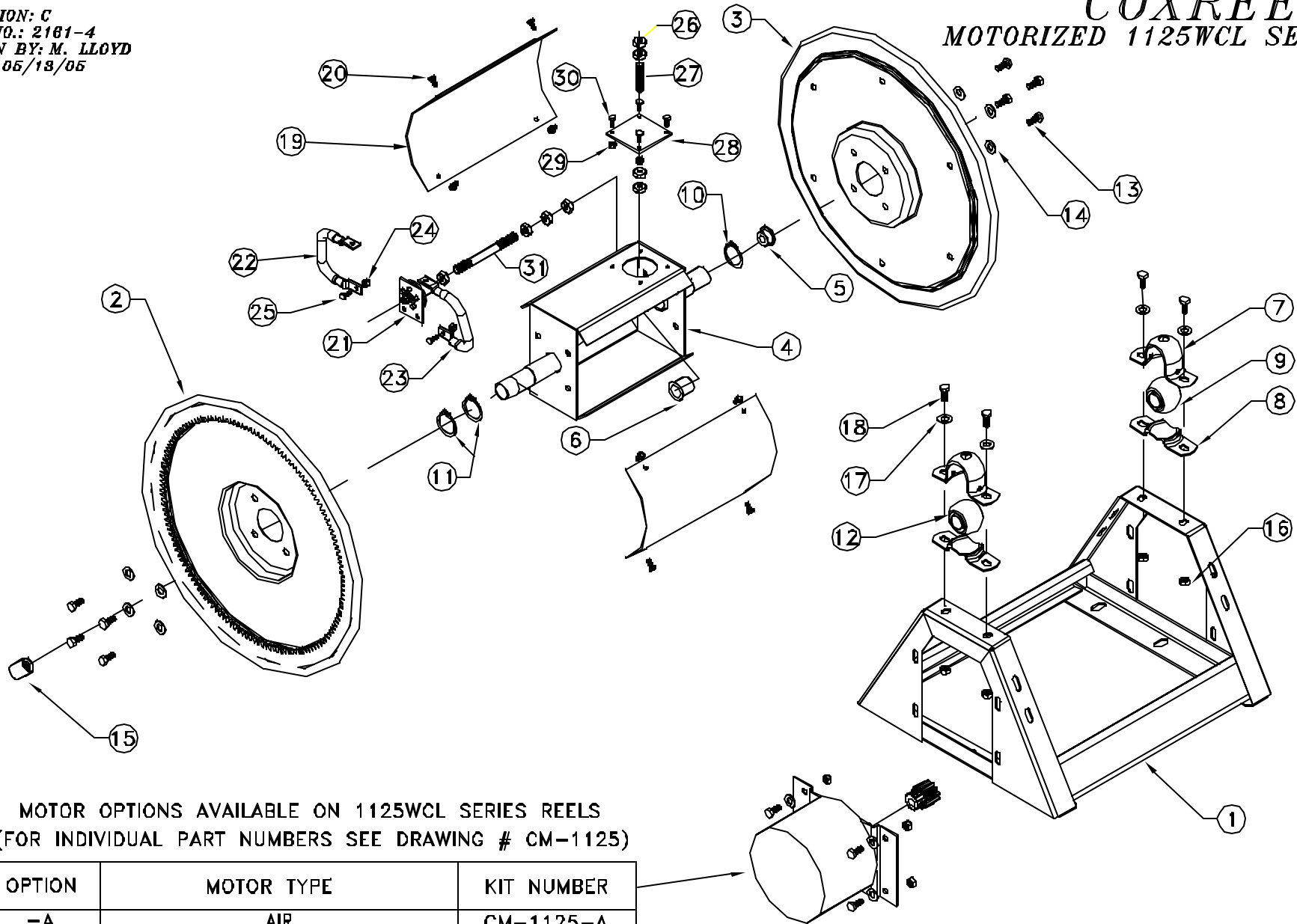
ECO NO.: 2161-4

DRAWN BY: M. LLOYD

DATE: 05/18/05

# COXREELS

MOTORIZED 1125WCL SERIES



MOTOR OPTIONS AVAILABLE ON 1125WCL SERIES REELS  
(FOR INDIVIDUAL PART NUMBERS SEE DRAWING # CM-1125)

OPTION	MOTOR TYPE	KIT NUMBER
-A	AIR	CM-1125-A
-EA	115VAC ELECTRIC, EXPL PROOF(1/2HP)	CM-1125-EA
-EB	24VDC ELECTRIC, EXPL PROOF(1/2HP)	CM-1125-EB
-ED	12VDC ELECTRIC, EXPL PROOF(1/2HP)	CM-1125-ED
-H	HYDRAULIC	CM-1125-H

**EXP-201 COMMON PARTS TO ALL CABLE REELS (W/ MOTOR)**

ITEM NO.	PART NO.	DESCRIPTION	QUANTITIES REQUIRED	
			1125WCL-6-X	1125WCL-12-X
1	7456-6	ASSY, FRAME	1	
	7456-12	ASSY, FRAME		1
2	7526	DISC, 17 1/2", 8" DRUM W/ GEAR	1	1
3	7500	DISC, 17 1/2", 8" DRUM	1	1
4	7663-6	ASSY,AXLE,1"	1	
	7663-12	ASSY,AXLE,1"		1
5	7671	BEARING	1	1
6	7673	BEARING	1	1
7	20064-T	PILLOW BLOCK MTG, (TOP)	2	2
8	20064-B	PILLOW BLOCK MTG, (BOT)	2	2
9	7507	BEARING	1	1
10	15012	RETAINING RING	1	1
11	153	RETAINING RING	2	2
12	20649	BEARING	1	1
13	312	BOLT, 5/16-18 X 3/4" LG.	8	8
14	112	WASHER, LOCK, 5/16"	8	8
15	7422	PIPE CAP	1	1
16	435	NUT, LOCKING, 3/8	4	4
17	157	WASHER, FLAT, 3/8"	4	4
18	20016	BOLT, 3/8-16 X 1" LG	4	4
19	7666-6	COVER	2	
	7666-12	COVER		2
20	7669	SCREW, SELF TAPPING	8	8
21	7678	SLIP RING ASSEMBLY	1	1
22	7665-R	CABLE ASSEMBLY	1	1
23	7665-L	CABLE ASSEMBLY	1	1
24	7676	NUT, BRASS,1/4-20	2	2
25	7675	BOLT, BRASS, 1/4-20	2	2
26	7674	NUT, BRASS, 1/2-13	8	8
27	7657	STUD, COPPER	1	1
28	7664	PLATE, INSULATOR	1	1
29	130	LOCKNUT, 10-32	4	4
30	6341	SCREW, TRUSS HEAD, 10-32	4	4
31	7656	STUD, COPPER	1	1

X= A,EA,ED, OR H MOTOR OPTIONS AVAILABLE ON ALL 1125WCL MODELS

REVISION: C    ECO: 2161-4    DATE: 5/12/2005    NAME: M. LLOYD