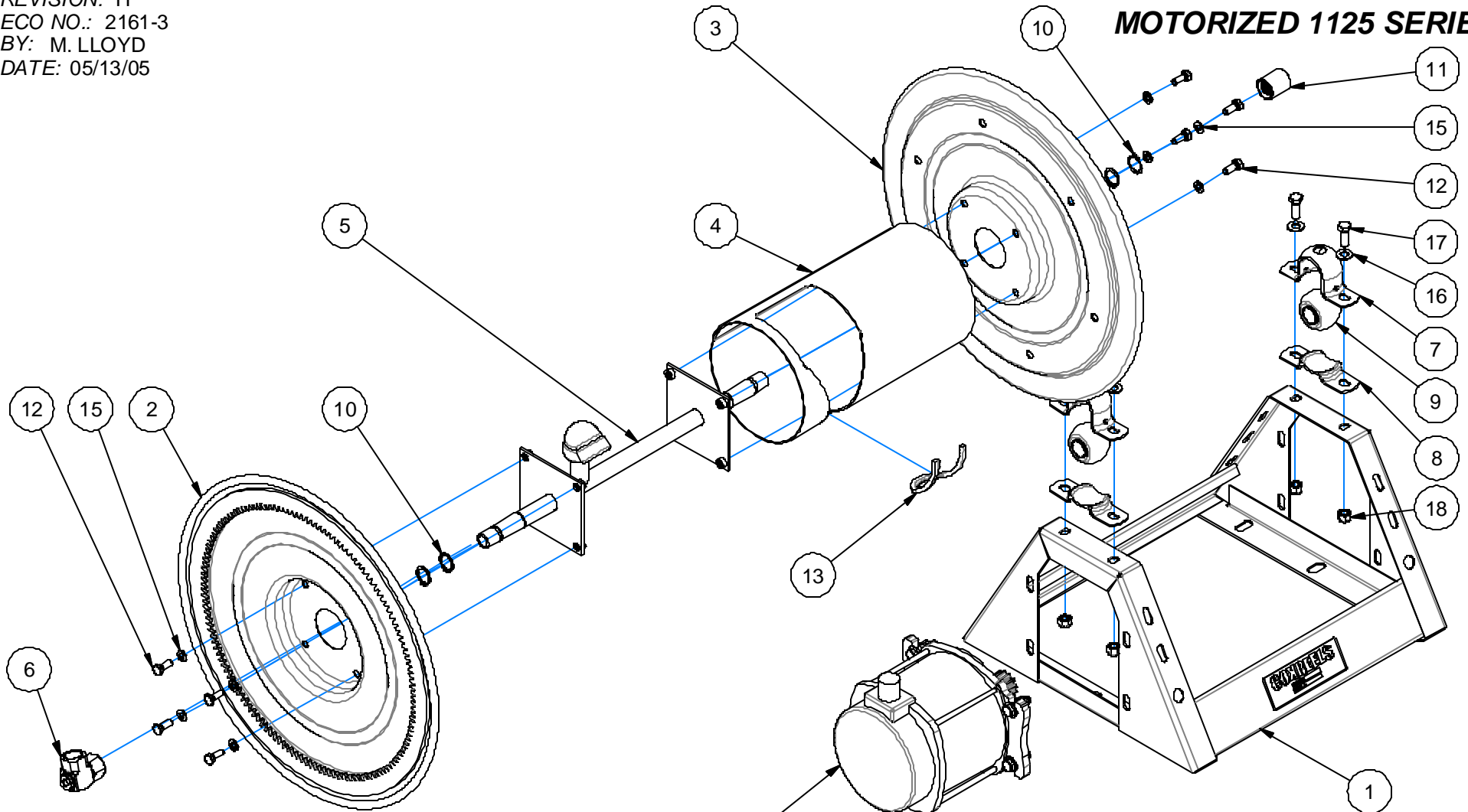


# EXP-111

REVISION: H  
ECO NO.: 2161-3  
BY: M. LLOYD  
DATE: 05/13/05

# COXREELS MOTORIZED 1125 SERIES



MOTOR OPTIONS AVAILABLE ON 1125 SERIES REELS  
(FOR INDIVIDUAL PART NUMBERS SEE DRAWING #CM-1125)

OPTION	MOTOR TYPE	KIT NUMBER
-A	AIR	CM-1125-A
-EA	115VAC ELECTRIC, EXPL PROOF(1/2HP)	CM-1125-EA
-EB	24VDC ELEC., EXPL PROOF (1/2HP)	CM-1125-EB
-ED	12VDC ELEC., EXPL PROOF (1/2HP)	CM-1125-ED
-E	12VDC ELECTRIC (1/3HP)	CM-1125-E
-H	HYDRAULIC	CM-1125-H